

# CANADIAN INSTALLATION INSTRUCTIONS, WARRANTY AND MAINTENANCE GUIDE

---

Selkirk Corporation  
5030 Corporate Exchange Blvd.  
Grand Rapids, MI 49512  
Toll Free: 1.800.433.6341



[www.selkirkcorp.com](http://www.selkirkcorp.com)  
[info@selkirkcorp.com](mailto:info@selkirkcorp.com)

---

Selkirk Canada Corporation  
P.O. Box 526, Depot 1  
Hamilton, ON L8L 7X6  
Toll Free: 1.888.SELKIRK (735.5475)

# INSTALLATION INSTRUCTIONS & MAINTENANCE GUIDE

## MODEL FC FACTORY BUILT INSULATED CHIMNEY



CAN/ULC-S604, CAN/ULC-S610

**A MAJOR CAUSE OF CHIMNEY-RELATED FIRES IS FAILURE TO MAINTAIN REQUIRED CLEARANCES (AIR SPACES) TO COMBUSTIBLE MATERIALS.**

**IT IS OF THE UTMOST IMPORTANCE THAT THIS CHIMNEY BE INSTALLED ONLY IN ACCORDANCE WITH THESE INSTRUCTIONS.**

**PLEASE READ ALL INSTRUCTIONS BEFORE BEGINNING YOUR INSTALLATION. FAILURE TO INSTALL THIS SYSTEM IN ACCORDANCE WITH THESE INSTRUCTIONS WILL VOID THE CONDITIONS OF CERTIFICATION AND THE MANUFACTURERS WARRANTY . KEEP THESE INSTRUCTIONS IN A SAFE PLACE FOR FUTURE REFERENCE.**

---

Selkirk Corporation  
5030 Corporate Exchange Blvd.  
Grand Rapids, MI 49512  
Toll Free: 1.800.433.6341



[www.selkirkcorp.com](http://www.selkirkcorp.com)  
[info@selkirkcorp.com](mailto:info@selkirkcorp.com)

---

Selkirk Canada Corporation  
P.O. Box 526, Depot 1  
Hamilton, ON L8L 7X6  
Toll Free: 1.888.SELKIRK (735.5475)

# TABLE OF CONTENTS

---

TYPES OF APPLIANCE	4
PRE INSTALLATION GUIDELINES	4
TOOLS	4
FRAMING DETAILS	4 - 5
CEILING SUPPORT INSTALLATION	5
STOVE PIPE INSTALLATION	5 - 6
ATTIC INSULATION SHIELD INSTALLATION	6
FIRESTOP RADIATION SHIELD INSTALLATION	6
ELBOW INSTALLATION	7
WALL SUPPORT INSTALLATION	7 - 8
CATHEDRAL CEILING SUPPORT INSTALLATION	8 - 9
ROOF SUPPORT INSTALLATION	9
RAFTER RADIATION SHIELD INSTALLATION	9
ROOF FLASHING INSTALLATION	9 - 10
ROOF GUY INSTALLATION	10 - 11
MAINTENANCE AND CLEANING OF CHIMNEY	11
REPLACEMENT PARTS LIST	11
CHART 1 - OFFSET TABLES	12
CHART 2 - CHIMNEY HEIGHT ABOVE ROOF	13
CHART 3 - CONNECTOR PIPE CLEARANCES	13
INSTALLATION RECORD & PRODUCT REGISTRATION	14
WARRANTY	15

# TYPES OF APPLIANCES

Your SuperVent/SuperPro Model FC chimney is intended as a component for specific listed factory built fireplaces and for connection to liquid fuel or gas fired residential type appliances and building heating appliances, in which the maximum continuous flue gas temperatures do not exceed 540 °C. It has been tested and approved to withstand temperatures of up to 1125°C.

# PRE-INSTALLATION GUIDELINES

Your SuperVent/SuperPro chimney and connecting stove pipe diameter should be sized in accordance with the appliance manufacturer's recommendations.

Plan the installation of your appliance and chimney in such a way that your both your chimney, and your chimney connector (stovepipe) run is as short and straight as possible. By having too long and or multiple bend installations you can reduce system draft which can affect the operation, and or performance of your appliance and or chimney system. The chimney should also be located within the building so as to avoid cutting or altering load bearing members such as joists, rafters, studs, etc. If you require to cut or alter an existing load bearing member, special reframing methods are required which often include doubling of adjacent members. If such a case arises, contact your local Building Code Official regarding local regulations and proper installation methods.

Sections of the SuperVent/SuperPro chimney which pass through accessible areas of the building, must be enclosed in a chase to avoid personal contact and damage to the chimney. The chase may be fabricated using standard building materials. Drywall mounted on 2" x 4" studs is typically used in this situation.

**MAINTAIN A 2" (50mm) MINIMUM AIR SPACE CLEARANCE BETWEEN INSULATED CHIMNEY SECTIONS AND COMBUSTIBLE MATERIALS.**

**WARNING: DO NOT PLACE ANY INSULATING MATERIALS OR RUN ANY ELECTRICAL WIRING WITHIN THE REQUIRED AIR CLEARANCE SPACE SURROUNDING THE CHIMNEY.**

Ensure that you obtain any necessary building permits, and that your installation will conform with all federal and municipal building code requirements. Before commencing installation,

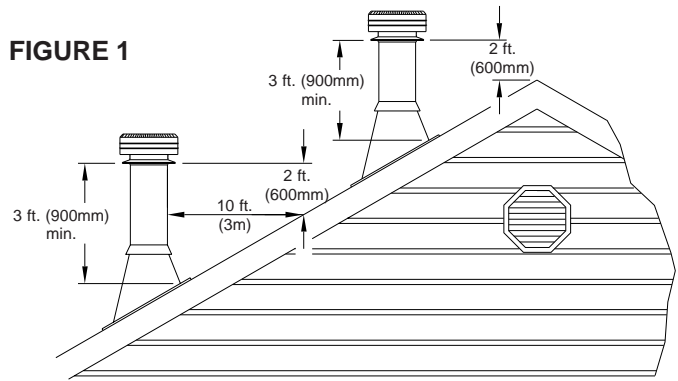
**CONTACT LOCAL BUILDING OR FIRE OFFICIALS ABOUT RESTRICTIONS AND INSTALLATION INSPECTION IN YOUR AREA.**

Obtain any necessary building permits.

Except for installation in one and two family dwellings, a factory built chimney that extends through any zone above that on which the connected appliance is located is to be provided with an enclosure having a fire resistance rating equal to or greater than that of the floor or roof assemblies through which it passes.

Authorities require that the chimney extend not less than 3 feet above the highest point where it passes through the roof of a building and not less than 2 feet (600mm) above any portion of the building within 10 feet (3m). See figure 1.

FIGURE 1



The use of Locking Bands at all chimney joints is recommended for added safety and stability when exposed to high winds and as a precaution against accidental unlocking of lengths when the system is inspected and swept.

The ideal location for your chimney system is within the building envelope. In cold climates, the use of external chimneys may result in operation problems such as poor draft, excessive condensation of combustion products and rapid accumulation of creosote. Under these circumstances, the installation of the chimney within the building is strongly recommended.

If the chimney must be installed on an exterior wall it is highly recommended to enclose the chimney below the roof line to protect it from cold outdoor temperatures, this may help reduce condensation, creosote formation and enhance draft.

Do not install the chimney directly at the outlet of the appliance. Interconnecting smoke pipe is required unless the appliance is specifically approved for that type of installation.

Use only with an appliance listed by a recognized testing authority such as Underwriters Laboratories Inc., Underwriters Laboratories of Canada, Intertek Testing Services or Warnock Hersey.

The flue diameter of gas or oil fired appliances should comply with the appropriate CSA or CGA Installation Codes; /CAN/CSA B139.00, CAN/CSA-B149.1-00 or CAN/CSA-B149.2-00.

**YOUR CHIMNEY HAS BEEN TESTED, AND LISTED USING ALL OF THE SUPPORTS, SHIELDS, ETC., DESCRIBED HEREIN. DELETION OR MODIFICATION OF ANY OF THE REQUIRED PARTS OR MATERIALS MAY SERIOUSLY IMPAIR THE SAFETY OF YOUR INSTALLATION, AND VOID THE CERTIFICATION AND OR WARRANTY OF THIS CHIMNEY**

# TOOLS

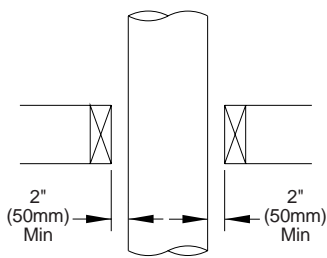
Your SuperVent/SuperPro chimney system is designed for installation using standard building materials and procedures. The following tools will be required:

- safety gloves
- safety goggles
- hammer and nails
- tin snips
- screwdriver and pliers
- plumb line and level
- square
- spoke saw or power jig saw

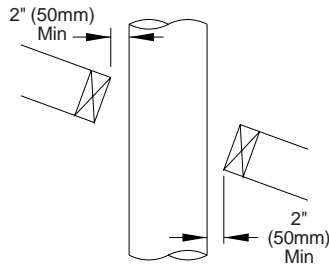
Other tools or equipment may be required, depending on your chimney location and the structure in which it is to be installed.

# FRAMING DETAILS

Plan your installation carefully. Lay out and frame in all openings ensuring the specified 2" (50 mm) clearance to combustibles is maintained. See table 1. All openings should be square, plumb and in perfect alignment with each other. See figure 2. For sloping roofs, ensure that the framing dimension is measured in the horizontal plane. See figure 3.



**FIGURE 2**  
Typical Joist Framing



**FIGURE 3**  
Typical Roof Joist Framing

**TABLE 1** Framing Dimensions

Chimney Flue Diameter		Decorator Ceiling Support	Wall (Support) Thimble	All Other Framing
5" (150mm)	in.	12 <sup>3</sup> / <sub>8</sub> x 12 <sup>3</sup> / <sub>8</sub>	14 <sup>3</sup> / <sub>8</sub> x 14 <sup>3</sup> / <sub>8</sub>	11 x 11
	mm	315 x 315	365 x 365	280 x 280
6" (125mm)	in.	12 <sup>3</sup> / <sub>8</sub> x 12 <sup>3</sup> / <sub>8</sub>	14 <sup>3</sup> / <sub>8</sub> x 14 <sup>3</sup> / <sub>8</sub>	12 x 12
	mm	315 x 315	365 x 365	305 x 305
7" (175mm)	in.	13 <sup>3</sup> / <sub>8</sub> x 13 <sup>3</sup> / <sub>8</sub>	14 <sup>3</sup> / <sub>8</sub> x 14 <sup>3</sup> / <sub>8</sub>	13 x 13
	mm	340 x 340	365 x 365	330 x 330
8" (200mm)	in.	14 <sup>3</sup> / <sub>8</sub> x 14 <sup>3</sup> / <sub>8</sub>	14 <sup>3</sup> / <sub>8</sub> x 14 <sup>3</sup> / <sub>8</sub>	14 x 14
	mm	365 x 365	365 x 365	355 x 355

## INSTALLATION PROCEDURES:

### CEILING SUPPORT

To complete a proper decorator ceiling support installation, the following parts may be required:

- Decorator Ceiling Support: JSC DCS
- Attic Insulation Shield: JSC AIS-C - Required where a chimney passes into an unoccupied attic space.
- Firestop Radiation Shield: JSC FRS - Required where a chimney passes from a lower living space into an upper living space or occupied attic space.
- Roof Flashing Assembly: JSC AAF, or JFC AF2 - Required when the chimney penetrates a roof.
- Rafter Radiation Shield: JSC RRS - Required when the chimney is enclosed immediately below the roof.
- Suitable lengths of Chimney (Model FC). The chimney diameter should be sized to suit the appliance.
- 15°, 30° or 45° Chimney Elbows (Model FC) - and suitable supports JSC RS, or JSC ES, if required.
- Rain Cap: JSC RC or DRC - Standard or Deluxe model.

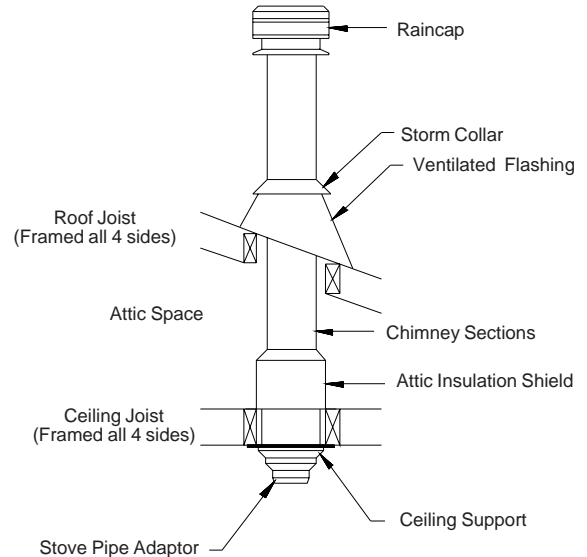
The Decorator Ceiling Support will support up to 50 feet (15.25m) of chimney sections, all of which must be installed above the support. Figures 4 & 5 show the 2 most common types of Decorator Ceiling Support Installation.

Slide the Trim Ring onto the Ceiling Support and slide assembly into framed opening from below. Ensure that the finishing plate is flush with the underside of the ceiling and the assembly is level and plumb. Hammer 12 6d or (2") nails through each of the 4 straps.

Lower the first section of chimney (with the Stove Pipe Adaptor installed on the female end) into the Ceiling Support ensuring that the male coupler is pointing upwards, as indicated by the arrow on the chimney label. NOTE: See next section for Stove Pipe Adaptor.

Center this first chimney section in the Ceiling Support and from beneath the support insert the stove pipe adaptor and lock it into place by turning clockwise until tight. This will hold your chimney in place while the rest of your installation is completed.

Install additional chimney sections and lock together by turning clockwise until the two sections lock together tightly. Install a locking band to secure the two chimney sections. Continue adding chimney lengths until a height of about 2 feet (600mm) below the next ceiling level is achieved.



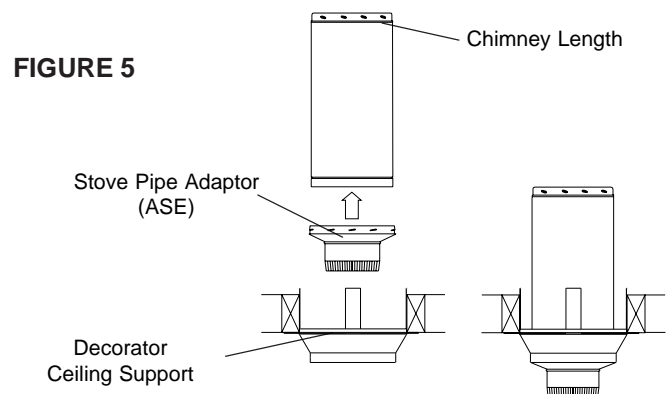
**FIGURE 4** Single Story Installation

### STOVE PIPE INSTALLATION

The Stove Pipe Adaptor (ASE) is installed by twist-locking it into the bottom end (female end) of the first Chimney Section that enters the Ceiling Support. Do not install an elbow in the Ceiling Support. Make sure that the male coupler of the insulated Chimney Length is pointing upwards as indicated by the arrow on the chimney label. Lower the assembly down into the Support ensuring that the stovepipe adaptor sleeve is protruding through the support and into the living space (see Figure 5).

The crimped end (stub) of the Stove Pipe Adaptor is intended to fit inside of the flue pipe from a solid fuel appliance, thus preventing condensate drips at the chimney connection. In some application, the crimped end will need to be removed as per fuel requirements and local installation codes.

Install inter-connecting flue pipe following the appliance manufacturer's installation instructions and appropriate building code requirements keeping in mind that the flue pipe run should be as short and straight as practicable. Generally, for a wood burning



**FIGURE 5**

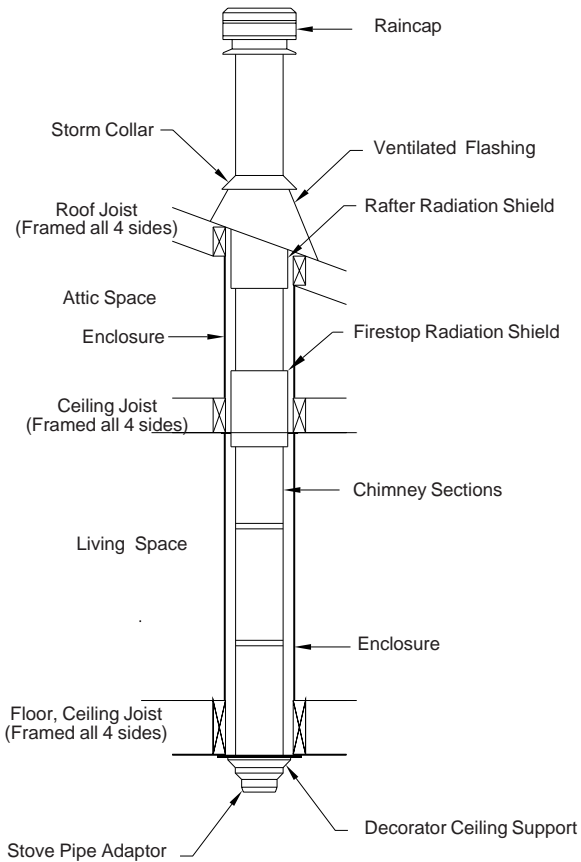
Generally, for a wood burning appliance installation, an 18" minimum clearance to combustibles must be maintained for a single wall flue pipe. The exception to this is a double wall stove pipe, such as Selkirk's Model DSP which can be installed at reduced clearances of 6" to combustibles. See separate installation instructions for more details.

Install additional chimney sections and lock together tightly. Install a Locking Band to secure the two chimney sections together. Continue adding chimney lengths until a height of about 2ft below the next ceiling level is achieved.

## ATTIC INSULATION SHIELD

An Attic Insulation Shield must be installed where the chimney enters an attic space. It is designed to keep insulation materials away from the chimney and will protect up to a 10 inch (250 mm) thickness of insulation plus the depth of the ceiling joist.

Where height restrictions will not permit the use of the Attic Insulation Shield, an enclosure from the attic joist to the roof joist will be sufficient. All chimney enclosures must maintain the required minimum air space clearance of 2" to the chimney. When enclosing the chimney below the roof line, a Rafter Radiation Shield (RRS) must be installed at the roof level and a Firestop Radiation Shield (FRS) at the ceiling level (see Figure 6). For proper installation, the attic opening must be fully framed at 2 inches of clearance to the chimney pipe with framing material of the same stock as the ceiling joist and as per the Framing Dimension Table 1. The tabs on the plate are inserted in the framed opening around the chimney. Nail the AIS base to the framing with at least 2 per side, using 2d (1") spiral nails or 1" x #8 wood screws.



**Two Story  
Main Floor Installation**

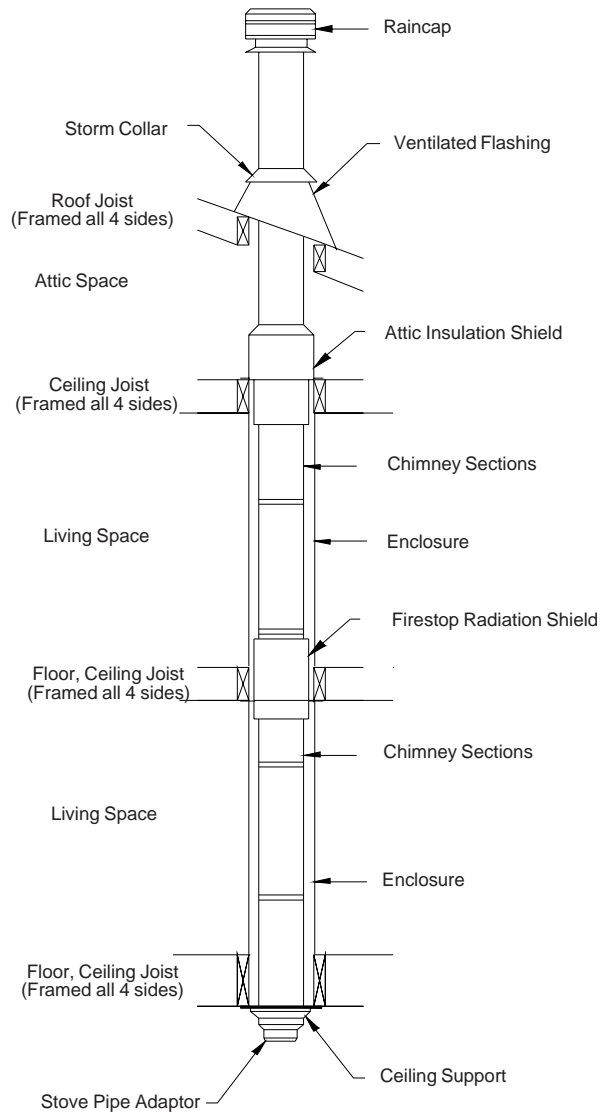
**FIGURE 6**

When an Attic Insulation Shield is required above the Decorator Ceiling Support into an attic as shown in Figure 4, ensure that the base of the shield is flush with the top of the joist framing and nail in place. The telescoping portion of the AIS will eliminate the need to trim the bottom when installed immediately above this support. When fully extended, the AIS will also provide joist shielding when installed in a 2 story main floor or basement application (see Figure 7).

**NOTE:** To stop cold air infiltration into the dwelling you can install the optional Universal Shielding Insulation (JUSI) into the Attic Insulation Shield. See separate installation instructions packaged with the JUSI.

## FIRESTOP RADIATION SHIELD

A Firestop Radiation Shield must be installed where the chimney passes from one living space to another living space, as shown in figure 7. It is designed to provide proper firestopping between floors and to keep direct radiation from the chimney away from the joist framing.



**Two Story  
Basement Installation**

**FIGURE 7**

Install the Firestop Joist Shield from either above or below the joist framing and nail in place using 1" spiral nails. Ensure no insulation is within the 2" air space clearance around the chimney. This includes the air spaces between the Firestop Radiation Shield and the joist framing.

## ELBOW INSTALLATION

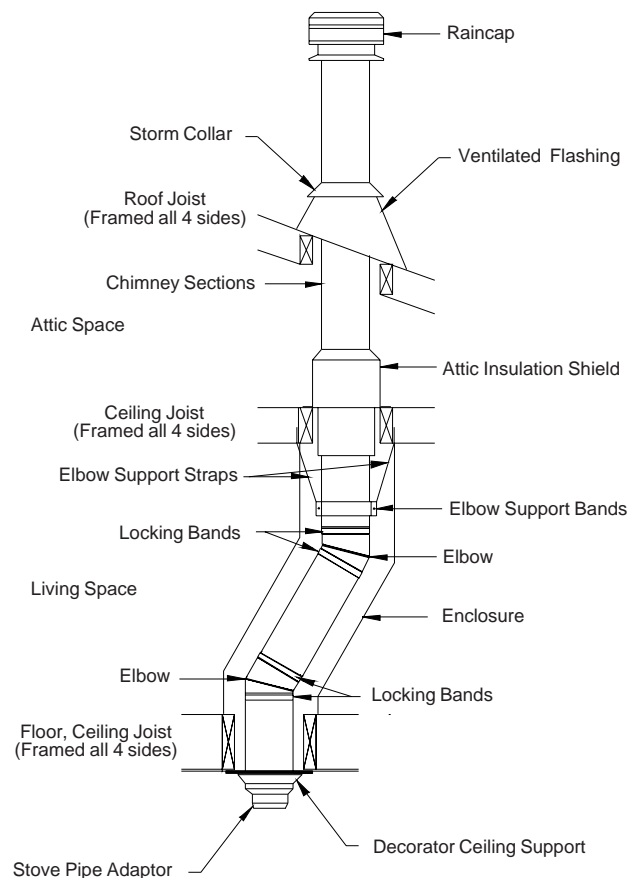
One pair of (two) 15° or 30° elbows may be used to provide an offset in order to avoid cutting of joists and to clear other obstructions. Each elbow support will support 15 feet (4.5 m) of chimney and the Maximum length of chimney allowed between the elbows is 6 feet (2 m).

The female end of the elbows are **not** lanced, in order to ensure proper alignment of the chimney system can be maintained. Locking bands must be used at all chimney joints.

Never install an elbow in a joist area. Chimney sections must pass vertically through framed joist areas.

During installation provide supplementary support for the offset section to avoid undue stress on connected elbows.

Install an elbow support just above the highest elbow. Attach the Support Band to the chimney with 4 of the nuts and bolts, and then install the four stainless steel sheet metal screws through the pre-punched holes. Attach the Support Straps to the Support Band assembly and nail the Support Straps to the framing using 6d (or 2") nails. See figure 8.



**FIGURE 8** Offset (Elbow) Installation

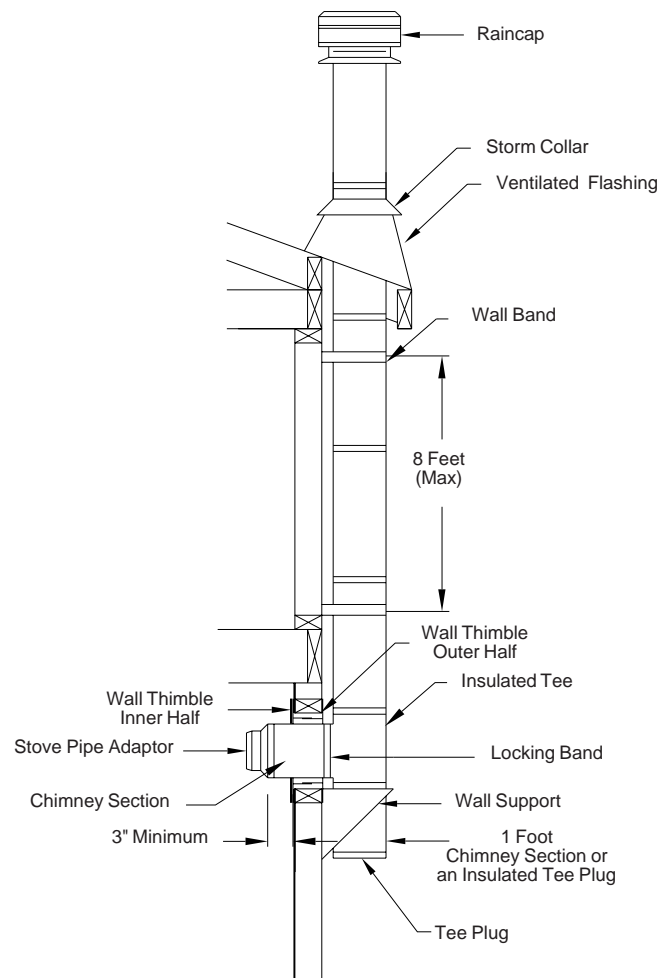
## WALL SUPPORT

To complete a proper Wall Support installation, the following parts may be required:

- Adjustable Wall Support: JSC AWS.
- Roof Flashing Assembly: JSC AAF, JSC AF2
- Required when the chimney penetrates a roof or a roof overhang.
- Rafter Radiation Shield: JSC RRS - Required when the chimney is enclosed immediately below the roof.
- Wall Bands: JSC WB.
- Suitable lengths of chimney (Model FC). The chimney diameter should be sized to suit the appliance.
- Rain Cap: JSC RC or DRC - Standard or Deluxe model.

**NOTE: NEVER OFFSET AN EXTERIOR CHIMNEY.**

The SuperVent/SuperPro Adjustable Wall Support will support up to 38 feet (11.5m) of chimney, all of which must be above the support with the exception of the 1 foot cleanout section **and/or** the Insulated Tee Plug, which is installed below the support.



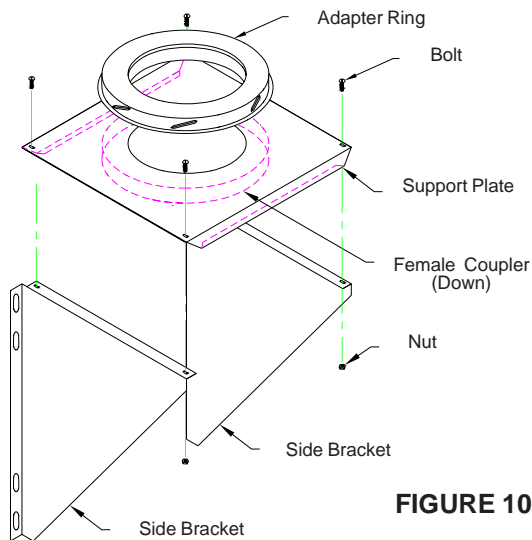
**FIGURE 9** Wall Support Installation

After framing in your opening to the dimensions specified in the Framing Details section, install the outer half (with square plate) of the wall thimble in the outside wall surface. Secure in place using appropriate fasteners using all of the pre-punched holes. For concrete walls, cut a hole slightly larger than the chimney.

Install the inner half (with round plate) of the wall thimble in the inside wall surface, ensuring that the shield slides into the shield of the outer half. Once in place and flush against the wall, install the trim plate and fasten in place with appropriate fasteners through the four pre-punched holes.

**NOTE:** To stop cold air infiltration into the dwelling you can install the optional Universal Shielding Insulation (JUSI) into the Wall Thimble. See separate installation instructions packaged with the JUSI.

Assemble the Wall Support (Figure 10) by attaching the 2 side brackets to the support plate, with the hardware supplied (female coupler attached to the plate is down).



**FIGURE 10**

Install a one foot (or longer as required) length of insulated chimney to the horizontal branch of the insulated tee. Lock securely into the tee by twisting clockwise. A locking band must then be installed at this connection. Make sure the nut and bolt are facing down to prevent any water from collecting in the locking band.

**NOTE: THE CHIMNEY MUST EXTEND AT LEAST 3" (75 MM) INTO THE LIVING SPACE WHERE THE STOVE PIPE CONNECTOR WILL BE ATTACHED TO THE CHIMNEY BRANCH.**

From outside the building, slide the chimney length (previously installed on a tee) through the wall thimble ensuring the male coupling on a tee is facing upward.

Place the adapter ring (Figure 10) on the wall support so that the sleeve on the adapter drops through the hole in the support plate. Place the assembled wall support against the wall (plate up) directly below the tee. Slide wall support up to the tee ensuring that the adapter on the wall support engages with the female coupler of the tee. Ensure the wall support is level, and secure to the wall with four 1/4" by 2" Lag Bolts through the pre-punched slots in each bracket. If the support is properly positioned, these lag bolts will go into wall studs placed on 16" (405mm) centers.

Install a wall band midway up the first chimney length above the tee. Wall bands must then be installed at a 8 foot (2.4m) intervals above this point. See figure 9. The nut and bolt supplied will fasten the band around the chimney. Secure the wall band bracket to the wall using two 6d or 2" spiral nails. For concrete walls use suitable masonry fasteners.

If the total chimney height exceeds the wall support limitations, an Adjustable Intermediate Wall Support JSC AIWS must be installed. Use of an AIWS will support another 38 ft. (11.5m) of chimney.

Slide the assembled intermediate wall support over the protruding length of chimney. Fasten the intermediate wall support to the wall using four 1/4" by 2" wood screws through the pre-punched slots in each bracket. Install the draw band around the protruding chimney length securely against the support plate. Install four stainless steel sheet metal screws firmly into the outer casing of the chimney, through the pre-punched holes in the draw band.

## **CATHEDRAL CEILING SUPPORT**

To complete a proper Cathedral Ceiling Support installation, the following parts may be required:

- Cathedral Ceiling Support: JSC CCS.
- Roof Flashing Assembly: JSC AAF, JSC AF2
- required when the chimney penetrates a roof.
- Suitable lengths of chimney (Model FC). The chimney diameter should be sized to suit the appliance.
- Rain Cap: JSC RC or DRC - Standard or Deluxe model.

The Cathedral Ceiling Support will support a total of 38 feet (11.5 m), of chimney. Chimney joints made below the support must be secured with locking bands.

After framing in your opening to the dimensions specified in the Framing Details section, slide the Cathedral Support box into joist opening. Once the box is at the desired level, ensure box is level and nail the box to framing using four 2" spiral nails or equivalent per side. The excess material sticking above the roof can either be trimmed off before attaching the box to the framing or, after it is installed the corners can be cut and the excess material folded down onto the roof deck.

Install the Support Band on the Chimney length at the desired position by tightening the draw band bolt and by screwing four stainless steel sheet metal screws through the draw band and into the outer casing. Lower the chimney length down through the opening in the bottom of the support so that the Support Band makes contact with the bottom of the Support Box. (See Figure 11).

4 painted ceiling trim angles (2 short & 2 long) are supplied with fastening screws to finish off the Support Box at the ceiling level. The 2 long pieces are trimmed off to match the pitch of the ceiling.

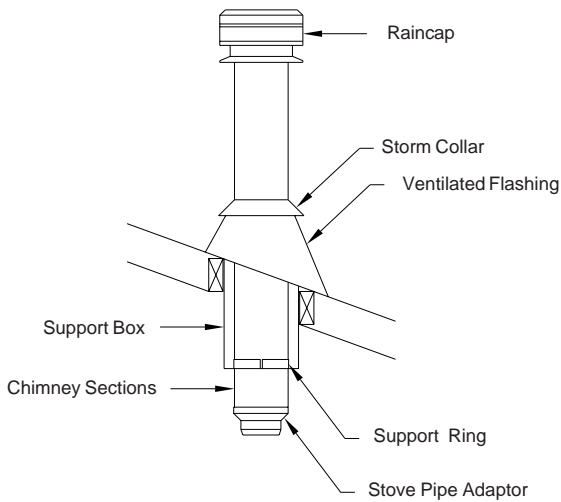
**NOTE:** The male coupler of each chimney length must be up.

**NOTE:** To stop cold air infiltration into the dwelling you can install the optional Universal Shielding Insulation (JUSI) into the Cathedral Support. See separate installation instructions packaged with the JUSI.



The bottom chimney length(s) should protrude into the living space so that proper clearances are maintained on the stove pipe connector.

Install additional chimney sections and lock together by turning clockwise until the two sections lock together tightly. Continue in this manner until the required height above the roof is achieved. Chimney sections (15 feet or 4.5m max.) installed below the Cathedral Ceiling Support are locked together from below by turning clockwise until tightly locked together with each joint being secured by a locking band.

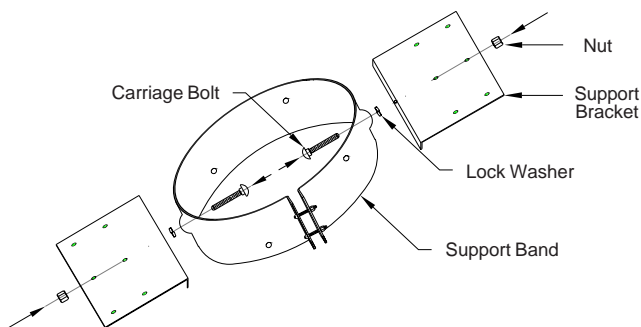


**FIGURE 11 Cathedral Ceiling Support Installation**

## ROOF SUPPORT

The Roof Support may be used on a floor, ceiling or roof and adjusts to any roof pitch. It may be used above an offset to support the offset or as a supplementary support when the chimney height exceeds that of the primary support. The Roof Support will support a total height of 50 feet (15m) of chimney sections. All chimney sections below the support must be secured with locking bands.

Attach the support brackets to the support band with the 1/2" nuts, bolts and lock washers. The lock washer is placed between the band and support bracket to provide proper spacing as shown in Figure 12.



**FIGURE 12 Roof Support Assembly**

Slide the Roof Support down over the chimney section until its brackets rest on the roof or floor. Tighten the collar around the chimney with the nuts and bolts supplied, then secure the collar by screwing the 6 supplied metal screws through the holes in the collar and into the chimney.

Center the chimney in the joist and nail or screw the support to the roof or floor using the 12 - 3 1/2" spiral nails supplied or 12 #8 x 1 1/4 wood screws.

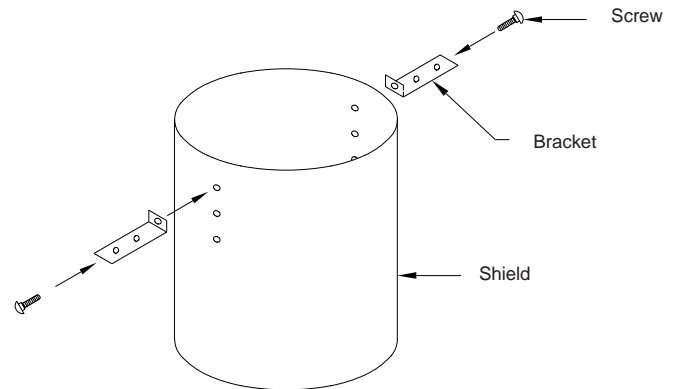
Install additional chimney sections and lock together by turning clockwise until the two sections lock together tightly - continue in this manner until the desired height is achieved.

**NOTE:** The male coupler of each chimney length must be up.

## RAFTER RADIATION SHIELD:

A Rafter Radiation Shield must be installed where the chimney is enclosed immediately below the roof line as shown in figure 15. An example of this is when the attic space of a house is being used as living space (ie. bedroom, guestroom etc.)

Attach the support brackets to the shield (through one of the three pre-punched holes) such that once the shield is installed, the shield protects both the upper and lower parts of the roof joist framing (See figures 13 & 16).

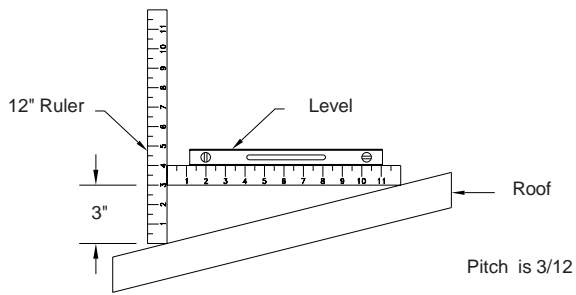


**FIGURE 13 Rafter Radiation Shield Assembly**

## ROOF FLASHING:

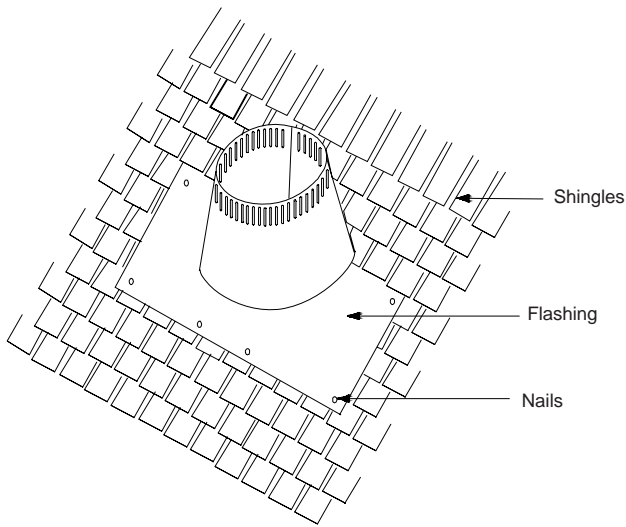
Ensure that you have the proper roof flashing by checking your roof pitch using a level and two rulers (see fig. 14) or by using a roof pitch card.

The JSC AAF flashing is for roof pitches from Flat to 6/12.  
The JSC AF2 flashing is for roof pitches from 6/12 to 12/12.



**FIGURE 14** Roof Pitch Calculation

Slide a Roof Flashing Assembly suitable to your roof slope over the chimney. Place the top edge of flashing plate under the shingles. Place both sides and the lower edge on top of the shingles (See figure 15). Do not nail in place at this time.

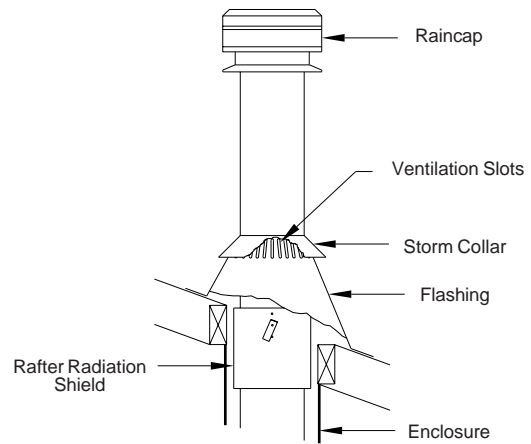


**FIGURE 15** Roof Flashing Installation

Ensure that the chimney is plumb. Square up the flashing plate and nail in place to the roof deck. Use 12 nails with neoprene washers or cover the heads with a suitable waterproof mastic. At the top edge of the flashing plate, lift the shingles and nail the plate to the roof deck. Then cement shingles to the plate with a suitable waterproof mastic.

Wrap the Storm Collar around the chimney above the flashing. Secure the ends together loosely with the nut and bolt supplied. Slide the collar down the chimney until it contacts the flashing. Tighten the nut and bolt and seal the Storm Collar to the chimney with a suitable waterproof non-combustible mastic. After installation check to ensure that the ventilation slots are not obstructed (See Figure 16).

**NOTE: A Rubber Boot Flashing Kit (URBFK1)** is available as an option for passing through a corrugated or metal roof. See separate instructions packaged with the Rubber Boot Flashing Kit. On metal or steep roof, it is recommended that a chimney cricket fabricated from heavy-gauge galvanized steel be installed. This will protect the Chimney and the Flashing by routing the snow load and ice around the chimney. This is not a supplied item. Contact a sheet metal fabrication shop in your area for your custom chimney cricket.



**FIGURE 16** Storm Collar/Flashing Installation

**WARNING: DO NOT BLOCK THE VENTILATION SLOTS ON THE FLASHING.**

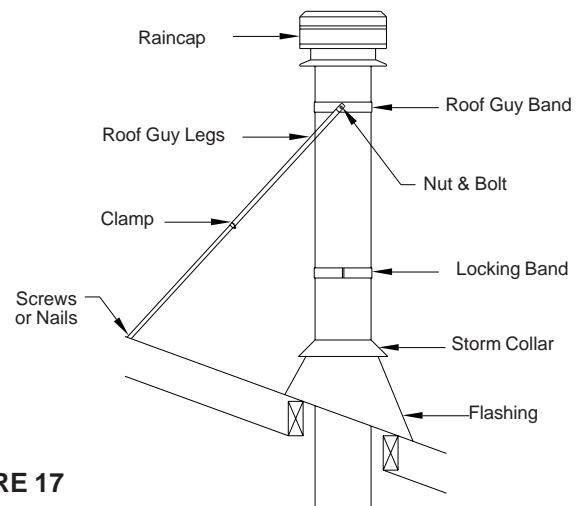
The flashing and storm collar should be painted to match the roof shingles. This will extend its life and improve the appearance. Clean, prime and paint with suitable painting products.

Continue adding chimney lengths until the proper height is achieved (See figure 1). Install the rain cap and lock it in place by turning clockwise until tight.

## ROOF GUY INSTALLATION

If the chimney extends 5 feet or more (1.5m) above the roof deck, roof guys are required. The Roof Guy kit containing telescopic legs and draw band are suitable for this application. The draw band must be clamped around the chimney. Use suitable fasteners such as #10 or #12 x 2" wood screws to secure the legs to the roof. Make sure the fasteners are into the rafters and not just the roof sheathing.

Position the band around the chimney approximately two thirds of the way up the chimney height. The preferred location for the band is next to a chimney joint, immediately above or below a Locking Band. The two telescopic legs should form an angle of about 60 degrees to give support to the chimney in all directions.



**FIGURE 17**

## Roof Guy Installation

Keep bottom ends equal distance from the chimney and if possible, at the same elevation, on the high side of the sloped roof. Seal the roof with a suitable non-hardening waterproof caulking. After the legs are attached to the chimney and draw band, tighten the clamps on the legs to fix the position of the telescoping legs.(See Figure 17). Only one chimney joint should be above a Roof Guy, the addition of a secondary Roof Guy may be required.

Do periodic inspection of all fasteners including the draw band as high winds can cause the chimney system above the roof to vibrate and in time loosen some of the fasteners.

## MAINTENANCE AND CLEANING OF CHIMNEY:

### “Creosote and Soot - Formation and Need for Removal”

When wood is burned slowly, it produces tar and other organic vapors, which combine with expelled moisture to form creosote. The creosote vapors condense in the relatively cool chimney flue of a slow-burning fire. As a result, creosote residue accumulates on the flue lining. When ignited, this creosote makes an extremely hot fire.

With a new installation, the chimney should be inspected frequently (every 2 wks) to determine the rate of creosote formation. When familiar with the appliance and chimney characteristics, the chimney should be inspected at least once every 2 months during the heating season to determine if a creosote or soot build-up has occurred.

If creosote or soot has accumulated, it should be removed to reduce the risk of chimney fire.

Contact a local professional chimney sweep for chimney cleaning services and advice if you have any doubts about your ability to clean your chimney system or if the task is too large.

The rain cap may be unscrewed using a twist-lock feature. Care should be taken not to disengage any lower chimney sections. This will permit the insertion of a properly sized plastic chimney cleaning brush. A metal brush may scratch the liner and lead to premature corrosion.

**WARNING:**  
**DO NOT USE FUEL MATERIALS CORROSIVE TO THE CHIMNEY LINER SUCH AS DRIFTWOOD, PLASTICS, CHEMICALLY TREATED WOOD, ETC..**

## REPLACEMENT PARTS LIST

DESCRIPTION	SUPERPRO PART N°.	SUPERCHIMNEY PART N°.
48" Chimney Length	SPR*L48	N/A
36" Chimney Length	SPR*L36	JSC*SA3
24" Chimney Length	SPR*L24	JSC*SA2
18" Chimney Length	SPR*L18	JSC*SA18
12" Chimney Length	SPR*L12	JSC*SA1
6" Chimney Length	SPR*L6	JSC*SA6
Tee with Plug	SPR*ITP	JSC*SITS
Insulated Tee Plug	SPR*TPI	JSC*TPI
15° Elbow Kit	SPR*E15K	JSC*SEK
30° Elbow Kit	SPR*E30K	JSC*SE3K
45° Elbow Kit	SPR*E45K	JSC*SE4K
Decorator Ceiling Support	SPR*CSB	JSC*DCS
Adjustable Wall Support	JSC*AWS	JSC*AWS
Adj. Interm. Wall Support	JSC*AIWS	JSC*AIWS
Cathedral Ceiling Support	SPR*CCSB	JSC*CCS
Roof Support	JSC*RS	JSC*RS
Elbow Support	JSC*ES	JSC*ES
Locking Band	SPR*SLB	JSC*SLB
Stove Pipe Adapter	JSC*ASE	JSC*ASE
Wall Thimble	SPR*WTB	JSC*WT
Trim Collar	J*TC	J*WT
Wall Band	JSC*WB	JSC*WB
Universal Roof Gut Kit	JURGK-1	JURGK-1
Firestop Radiation Shield	JSC*FRS	JSC*FRS
Attic Insulation Shield	JSC*AIS-C	JSC*AIS-C
Rafter Radiation Shield	JSC*RRS	JSC*RRS
Finishing Plate	J*FP	J*FP
Deluxe Raincap	SPR*PRC	JSC*DRC
Standard Raincap	N/A	JSC*RC
Flat Roof Flashing	JSC*ATC	JSC*ATC
0/12 - 6/12 Roof Flashing	JSC*AAF	JSC*AAF
6/12 - 12/12 Roof Flashing	JSC*AF2	JSC*AF2
Rubber Boot Flashing Kit	URBFK1	URBFK1
Storm Collar	JSC*SC	JSC*SC
Universal Shielding		
Insulation	JUSI	JUSI

\* Specify chimney size

Model SuperVent(FC) and SuperPro (SPR) chimneys and components are interchangeable with one another. Both are listed to CAN/ULC-S604 and CAN/ULC-S610.

# CHART 1 - OFFSET CHIMNEY INSTALLATION

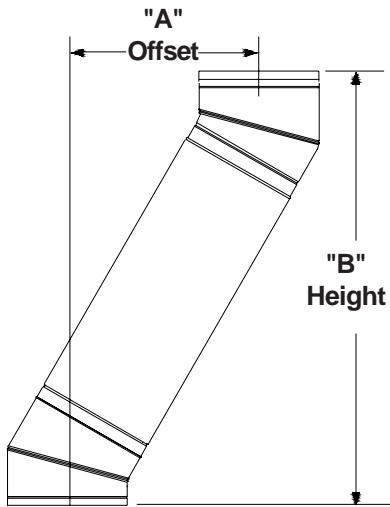
It may be necessary to offset the chimney in order to clear a joist or an obstacle. The three (3) charts below will assist you in selecting the proper combination of elbow angle and chimney length(s) that will provide the necessary degree of offset within an available height.

1. Select the column with the proper chimney diameter of your system.

2. Determine the distance of the offset required by dropping a plumb line for an accurate measurement. The offset is measured at the chimney centre line as per the "A" Offset measurement in the diagram below.

3. On the chart, find the predetermined distance (under the "A" column) required for the 15° elbow. For greater offset, use the 30° or 45° offset charts. NOTE: The 45° elbows may be used **ONLY** with oil or gas appliances.

4. After finding the offset, look at the "B" (height) measurement in the chart to find the specified height. The appropriate "chimney lengths" required in between elbows is found in the left hand side column of each charts.



**NOTE:**

- SuperVent/SuperPro chimneys are limited to offsets not exceeding 30 degrees. Combining offsets for greater angle is not permitted. **The 45° elbows may be used ONLY with oil or gas appliances.**

- One pair of (two) elbows may be used for interior installation only.

- Never install an elbow in a joist area. Chimney sections must pass vertically through framed joist areas.

- Locking Bands must be use at all chimney joints.

- Each elbow support will support 15 feet of chimney.

- The maximum length of chimney allowed between elbows is 6 feet.

15° OFFSET CHART								
Chimney Lengths	5" Diameter		6" Diameter		7" Diameter		8" Diameter	
	A	B	A	B	A	B	A	B
none	1-1/2"	9"	1-1/8"	10"	1-1/8"	10-1/4"	1-1/4"	10-3/8"
6"	2-1/8"	13-1/2"	2-3/8"	14-1/4"	2-3/8"	15"	2-1/2"	15-5/8"
12"	4"	19-1/8"	4"	20-1/2"	4-1/16"	20-3/4"	4-1/8"	21"
18"	5-1/2"	25"	5-1/2"	26-1/4"	5-1/2"	26-1/2"	5-5/8"	26-3/4"
24"	7-1/2"	30-1/2"	7"	32"	7-1/16"	32-1/4"	7-1/8"	32-1/2"
36"	10-1/8"	42"	10-1/4"	43-5/8"	10-1/4"	44"	10-1/4"	44-1/8"
6" + 36"	11-1/4"	48-1/4"	11-3/8"	48-3/8"	11-1/2"	48-5/8"	11-1/2"	48-7/8"
12" + 36"	12-3/4"	54"	13"	54-1/8"	13"	54-3/8"	13"	54-5/8"
18" + 36"	14-3/8"	59-3/4"	14-1/2"	60"	14-1/2"	60-1/8"	14-5/8"	60-3/8"
24" + 36"	16"	65-1/2"	16-1/8"	65-3/4"	16-1/8"	66"	16-1/8"	66-1/4"
12"+24"+36"	19"	76-1/4"	19"	76-1/4"	19"	76-1/2"	19"	76-3/4"

30° OFFSET CHART								
Chimney Lengths	5" Diameter		6" Diameter		7" Diameter		8" Diameter	
	A	B	A	B	A	B	A	B
None	3"	10"	2-3/4"	11-5/8"	3-1/8"	13"	3-1/2"	14-1/2"
6"	5-1/4"	14"	5-1/4"	15-7/8"	5-5/8"	17-1/4"	6"	18-3/8"
12"	9"	19-1/4"	8-1/4"	21"	8-5/8"	22-3/8"	9"	24"
18"	11-1/4"	24-1/2"	11-1/4"	26-1/4"	11-5/8"	27-5/8"	12"	29-1/8"
24"	14-1/4"	29-3/4"	14-1/4"	31-3/8"	14-5/8"	32-7/8"	15"	32-3/8"
36"	20"	39-3/4"	20-1/4"	41-7/8"	20-5/8"	43-1/4"	21"	44-3/4"
6" + 36"	21-7/8"	44-1/2"	22-5/8"	46"	23"	47-1/2"	23-1/2"	49"
12" + 36"	23-7/8"	50-1/8"	25-5/8"	51-1/4"	26"	52-5/8"	26-1/2"	54-1/8"
18" + 36"	27-1/8"	55-1/8"	28-5/8"	56-3/8"	29"	57-3/8"	29-1/2"	59-3/8"
24" + 36"	30-3/8"	60-5/8"	31-5/8"	61-5/8"	32"	63"	32"	64-1/2"
12"+24"+36"	37"	69-3/8"	37-1/8"	71"	37-1/2"	72-1/2"	38"	74"

45° OFFSET CHART								
Chimney Lengths	5" Diameter		6" Diameter		7" Diameter		8" Diameter	
	A	B	A	B	A	B	A	B
None	6"	10-1/8"	4-3/8"	12"	5-1/2"	14"	5-3/4"	15-1/8"
6"	9-1/8"	13-5/16"	7-3/4"	15-5/8"	9-3/4"	18"	9-1/2"	19-1/4"
12"	13-3/8"	17-1/2"	11-7/8"	19-3/4"	13"	21-3/4"	13"	22-1/2"
18"	17-5/8"	21-3/4"	16"	23-7/8"	17-1/4"	25-3/8"	17"	27"
24"	21-13/16"	26"	20-1/2"	27-3/4"	21-3/4"	29-7/8"	21-5/8"	31"
12" + 24"	29-5/16"	33-7/16"	23-7/8"	31-3/8"	25-5/8"	32-3/4"	24-5/8"	34-1/2"
36"	30-3/8"	34-1/2"	28-1/2"	36-7/8"	30-5/8"	38-1/8"	29-5/8"	39-7/8"
12" + 36"	37-3/4"	41-7/8"	36-1/4"	44-3/8"	38-1/8"	45-1/8"	38-1/8"	47"
18" + 36"	42"	46-3/16"	40-1/8"	49-1/4"	42-3/4"	49-1/4"	41-7/8"	51-1/2"
24" + 36"	46-1/4"	50-7/16"	47-7/8"	56-1/2"	50-1/2"	57-3/8"	49"	59-3/8"
12"+24"+36"	53-5/8"	57-7/8"	41-1/2"	45-5/8"	38-1/4"	46-1/2"	38-1/2"	48-7/8"

All measurements are in inches. Construction tolerances ± one inch.

## CHART 2 - CHIMNEY HEIGHT ABOVE THE ROOF

- Requirement # 1 :** *The code requires that the chimney must extend at least 3 feet above the highest point of the roof that it penetrates.*  
**Requirement # 2 :** *It must also be 2 feet above any roof, wall or other obstruction within a horizontal distance of 10 feet.*

The following Chart is to assist you in determining the minimum chimney height you will require above the roof. You may need to add to this height as nearby buildings, trees and other parts of the house roof could interfere with airflow over and around the top of the chimney and affect its performance. If you think a nearby obstacle could affect draft, you might want to install one or more additional lengths.

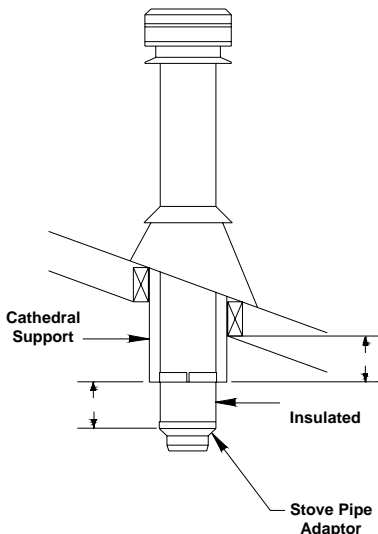
DISTANCE FROM PEAK	PITCH OF ROOF											
	1/12	2/12	3/12	4/12	5/12	6/12	7/12	8/12	9/12	10/12	11/12	12/12
	CHIMNEY HEIGHT ABOVE ROOF (INCHES)											
10 Ft	*36	44	54	64	74	84	94	104	114	124	134	144
9 Ft	*36	42	51	60	69	78	87	96	105	114	123	132
8 Ft	*36	40	48	56	64	72	80	88	96	104	112	120
7 Ft	*36	38	45	52	59	66	73	80	87	94	101	108
6 Ft	*36	36	42	48	54	60	66	72	78	84	90	96
5 Ft	*36	*36	39	44	49	54	59	64	69	74	79	84
4 Ft	*36	*36	36	40	44	48	52	56	60	64	68	72
3 Ft	*36	*36	*36	36	39	42	45	48	51	54	57	60
2 Ft	*36	*36	*36	*36	*36	36	38	40	42	44	46	48
1 Ft	*36	*36	*36	*36	*36	*36	*36	*36	*36	*36	*36	36

**\* Defaulted to 36" to meet requirement #1. Both requirements (#1 and #2) must be met.**

- If the chimney extends 5 feet or more above the roof, a Universal Roof Guy Kit (JURGK-1) is required.
- It is highly recommended that any lengths above the roof should have locking bands at all joints for added safety and stability. This will eliminate the risk of sections becoming undone below the roof line when the Rain Cap is removed during inspections and cleaning of the system is being done.

## CHART 3 - Connector Pipe Clearance below Cathedral Support

1. Identify the type of connector pipe you will be installing, single wall (requires 18" clearance to combustibles) or Selkirk's Double Wall Stove Pipe (model DSP) which requires 6" clearance to combustibles.
2. Determine the amount of the exposed Cathedral Support that will be projecting into the room as per the "X" in the diagram on the bottom left.
3. Select the pitch of your sloped ceiling from the chart below.
4. Select the measurement from the chart below where the pitch of the sloped ceiling column intersects with the exposed Cathedral Support row selection. This will determine the measurement of insulated chimney required below the Cathedral Support as per the "Y" in the diagram on the left. The minimum of insulated chimney below the Cathedral Support is 1 inch. This minimum is required for stability of the system.



CONNECTOR PIPE CLEARANCE REQUIREMENTS FROM SLOPED CEILING													
EXPOSED CATHEDRAL SUPPORT INTO ROOM		PITCH OF SLOPED CEILING											
		1/12	2/12	3/12	4/12	5/12	6/12	7/12	8/12	9/12	10/12	11/12	12/12
1 Single Wall Flue Pipe	"X" measurement	<b>"Y" MEASUREMENT - INSULATED CHIMNEY LENGTH INTO ROOM</b>											
	Box flush to ceiling on lower end	1.5	3	4.5	6	8	9	10.5	12	13.5	15	16.5	18
	Box 1" into the room	1	2	3.5	5	7	8	9.5	11	12.5	14	15.5	17
	Box 2" into the room	1	1	2.5	4	6	7	8.5	10	11.5	13	14.5	16
	Box 3" into the room	1	1	1.5	3	5	6	7.5	9	10.5	12	13.5	15
2 DSP - Double Wall Stove Pipe	"X" measurement	<b>"Y" MEASUREMENT - INSULATED CHIMNEY LENGTH INTO ROOM</b>											
	Box flush to ceiling on lower end	1	1	1.5	2	2.5	3	3.5	4	4.5	5	5.5	6
	Box 1" into the room	1	1	1	1	1.5	2	2.5	3	3.5	4	4.5	5
	Box 2" into the room	1	1	1	1	1	1	1.5	2	2.5	3	3.5	4
	Box 3" into the room	1	1	1	1	1	1	1	1	1.5	2	2.5	3

<sup>1</sup> Single Wall Flue Pipe requires 18" clearance to any combustible materials.

<sup>2</sup> DSP Double Wall Stove Pipe requires 6" clearance to any combustible materials.

All measurements are in inches.

## INSTALLATION INFORMATION

Keep in a safe place for future reference

CHIMNEY MODEL: \_\_\_\_\_

TYPE OF APPLIANCE: \_\_\_\_\_

INSTALLATION DATE: \_\_\_\_\_

DESCRIPTION OF INSTALLATION (Chimney and Flue Pipe Configuration) \_\_\_\_\_

### **PURCHASED FROM:**

DEALER NAME: \_\_\_\_\_

Address: \_\_\_\_\_

City: \_\_\_\_\_

Province: \_\_\_\_\_

### **INSTALLED BY:**

TECHNICIAN NAME: \_\_\_\_\_

Address: \_\_\_\_\_

City: \_\_\_\_\_

Province: \_\_\_\_\_



---

## PRODUCT REGISTRATION

Please register your Chimney with the Manufacturer.

Mail to: Selkirk Corporation,  
Product Registration, P.O. Box 526, Depot 1, Hamilton, On, L8L 7X6

**Register Online @: [www.selkirkcorp.com](http://www.selkirkcorp.com)**

Name: \_\_\_\_\_

Address: \_\_\_\_\_

City: \_\_\_\_\_

State: \_\_\_\_\_ Postal Code: \_\_\_\_\_ Telephone #: \_\_\_\_\_

Chimney Model: \_\_\_\_\_ Installation Date: \_\_\_\_\_

Technician Name: \_\_\_\_\_ Address: \_\_\_\_\_

City: \_\_\_\_\_ Province: \_\_\_\_\_ Postal Code: \_\_\_\_\_ Telephone #: \_\_\_\_\_